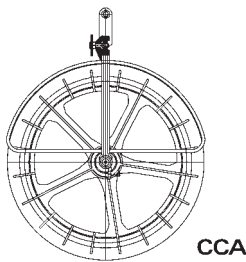
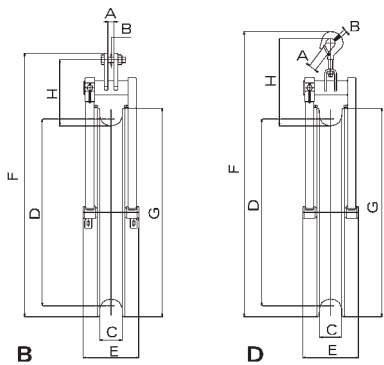
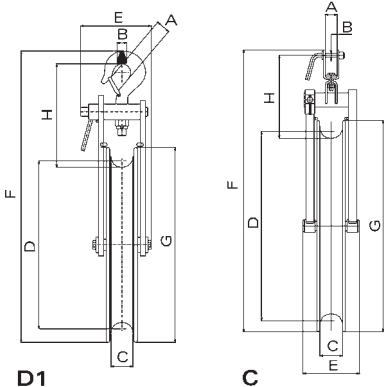
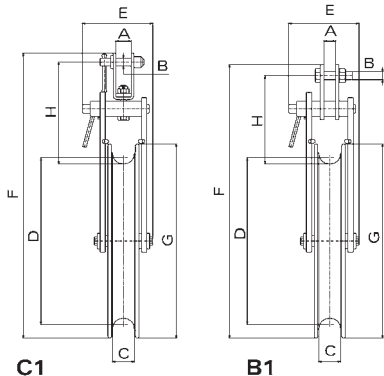


The pulley wheels are made of aluminium alloy mounted on ball bearings; the groove is lined by a neoprene ring or by wear-proof interchangeable nylon or aluminium sectors. The frame is made of galvanised steel. The pulleys can be supplied with three types of connections: fixed (B and B1), swivel-type (C and C1) or with a hook supplied with safety lock (D and D1). Grounding device or complete conductive sheaves can be supplied on demand



Certified Quality System
ISO 9001:2000



Model	Type of connection			Dimensions [mm]								Breaking Mass load	
	Neoprene	Nylon	Aluminium	A	B	C	D	E	F	G	H	[kN]	[kg]
CAS 200			C1	26	16	50	250	145	482	330	175	80	7
CAS 201			D1	25	19	50	250	145	490	330	175	80	7
CAS 300	CAS 301	CAS 308	B1	26	18	54	350	150	595	440	200	70	11
CAS 302	CAS 303	CAS 309	C1	35	18	54	350	150	640	440	225	70	12
CAS 304	CAS 305	CAS 310	D1	31	30	54	350	150	630	440	235	70	12
CAS 400		CAS 419	B	26	20	68	400	186	795	520	310	100	19
CAS 402		CAS 416	C	40	20	68	400	186	850	520	365	100	20
CAS 404		CAS 418	D	32	33	68	400	186	885	520	380	100	22
CAS 500	CAS 501	CAS 518	B	26	20	68	500	186	848	625	260	100	22
CAS 502	CAS 503	CAS 520	C	40	20	68	500	186	902	625	315	100	25
CAS 504	CAS 505	CAS 521	D	32	33	68	500	186	937	625	330	100	24
CAS 600	CAS 601	CAS 632	B	26	20	68	650	186	996	775	260	100	28
CAS 602	CAS 603	CAS 638	C	40	20	68	650	186	1052	775	315	100	29
CAS 604	CAS 605	CAS 639	D	32	33	68	650	186	1087	775	330	100	30
CAS 606	CAS 607	CAS 644	B	26	20	95	650	218	1010	775	275	120	32
CAS 608	CAS 609	CAS 645	C	40	20	95	650	218	1062	775	330	120	33
CAS 610	CAS 611	CAS 646	D	32	33	95	650	218	1097	775	345	120	34
CAS 800	CAS 801	CAS 843	B	26	20	68	800	186	1101	880	260	120	32
CAS 802	CAS 803	CAS 835	C	40	20	68	800	186	1157	880	315	120	33
CAS 804	CAS 805	CAS 836	D	32	33	68	800	186	1192	880	330	120	34
CAS 806	CAS 807	CAS 857	B	26	20	95	800	218	1125	893	275	120	38
CAS 808	CAS 809	CAS 852	C	40	20	95	800	218	1180	893	330	120	39
CAS 810	CAS 811	CAS 858	D	32	33	95	800	218	1215	893	345	120	40
	CAS 002		B	26	20	95	1000	218	1335	1100	275	120	49
	CAS 004		C	40	20	95	1000	218	1387	1100	330	120	50
	CAS 006		D	32	33	95	1000	218	1422	1100	345	120	51

OPTIONAL

Antifleeting devices for single pulleys

included	for D=250
CCA300	for D=350

CCA400	for D=400
CCA500	for D=500
CCA600	for D=650
CCA800	for D=800
CCA000	for D=1000